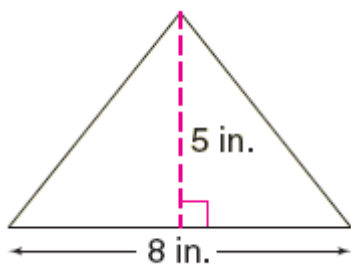


Name: _____

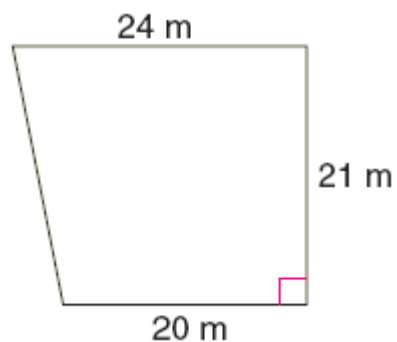
Areas of Triangles and Quadrilaterals

Exercise 1: Find the area of each triangle or trapezoid.

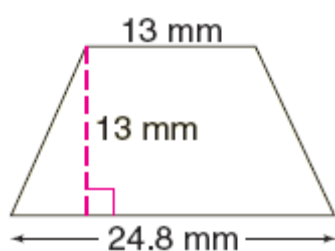
1)



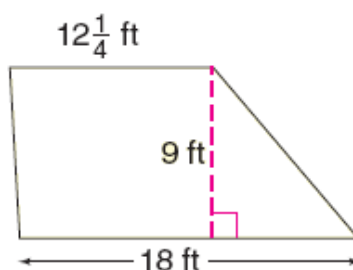
2)



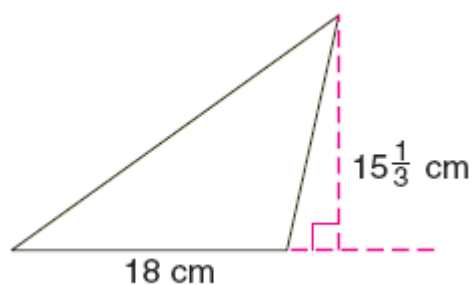
3)



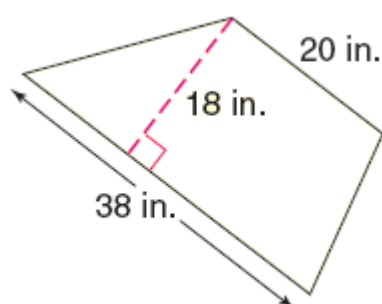
4)



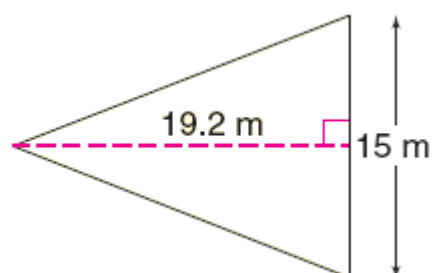
5)



6)

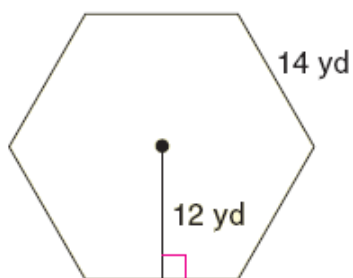


7)

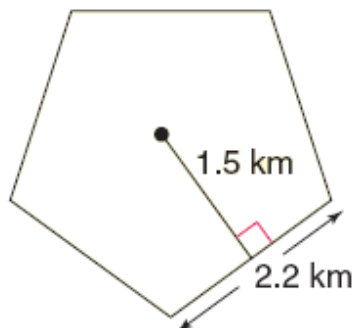


Exercise 2: Find the area of each regular polygon.

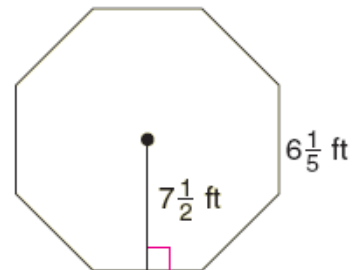
1)



2)

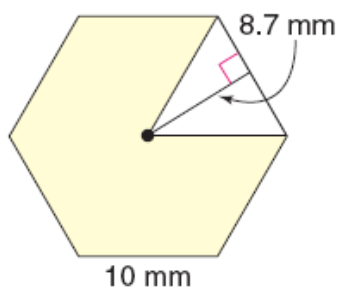


3)

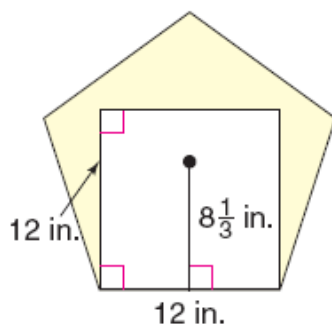


Exercise 3: Find the area of the shaded region in each regular polygon.

1)



2)



3)

